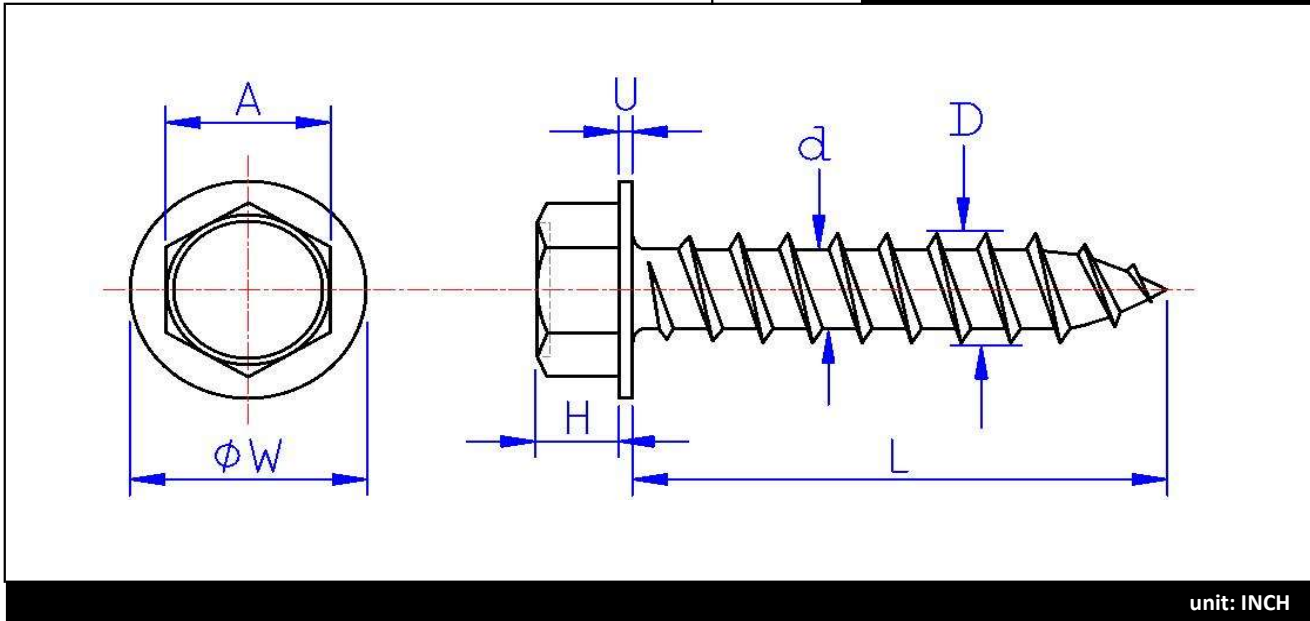




Brand	Root
	<b>HAS...</b>



unit: INCH

<b>L</b> LENGTH TOLERANCE	≤ 1"	± 0.03
	> 1"	± 0.05

**FULL THREAD**

SCREW SIZE		W WASHER DIAM.	A ACROSS FLAT	H HEAD HEIGHT	U WASHER THICKNESS	d MINOR DIAM.	D THREAD DIAM.	THREAD PER INCH
# 8	Min	0.322	0.244	0.096	0.019	0.116	0.162	15
	Max	0.348	0.250	0.110	0.031	0.123	0.168	
# 10	Min	0.384	0.305	0.105	0.019	0.126	0.188	12
	Max	0.414	0.312	0.120	0.031	0.133	0.194	
# 14	Min	0.480	0.367	0.172	0.030	0.178	0.248	10
	Max	0.520	0.375	0.190	0.050	0.185	0.254	
# 20	Min	0.624	0.489	0.208	0.035	0.225	0.327	9
	Max	0.676	0.500	0.230	0.055	0.234	0.333	

**Indented Hex/Washer Head, Tapping screw Type-A  
Stainless Steel (18/8) Passivated**

Root= Hex. Type-A Stainless

**Bulk Label Description:**

- English: HEX/WASHER HEAD, TAPPING SCREW TYPE-A, STAINLESS STEEL
- French: VIS À MÉTAL TYPE-A, TÊTE HEX/RONDELLE, ACIER INOXYDABLE
- Spanish: TORNILLO METÁLICO, PUNTA TIPO A, CABEZA HEXAGONAL CON ARANDELA, ACERO INOXIDABLE

Date: 20 mars 2019

Done by: P.B.