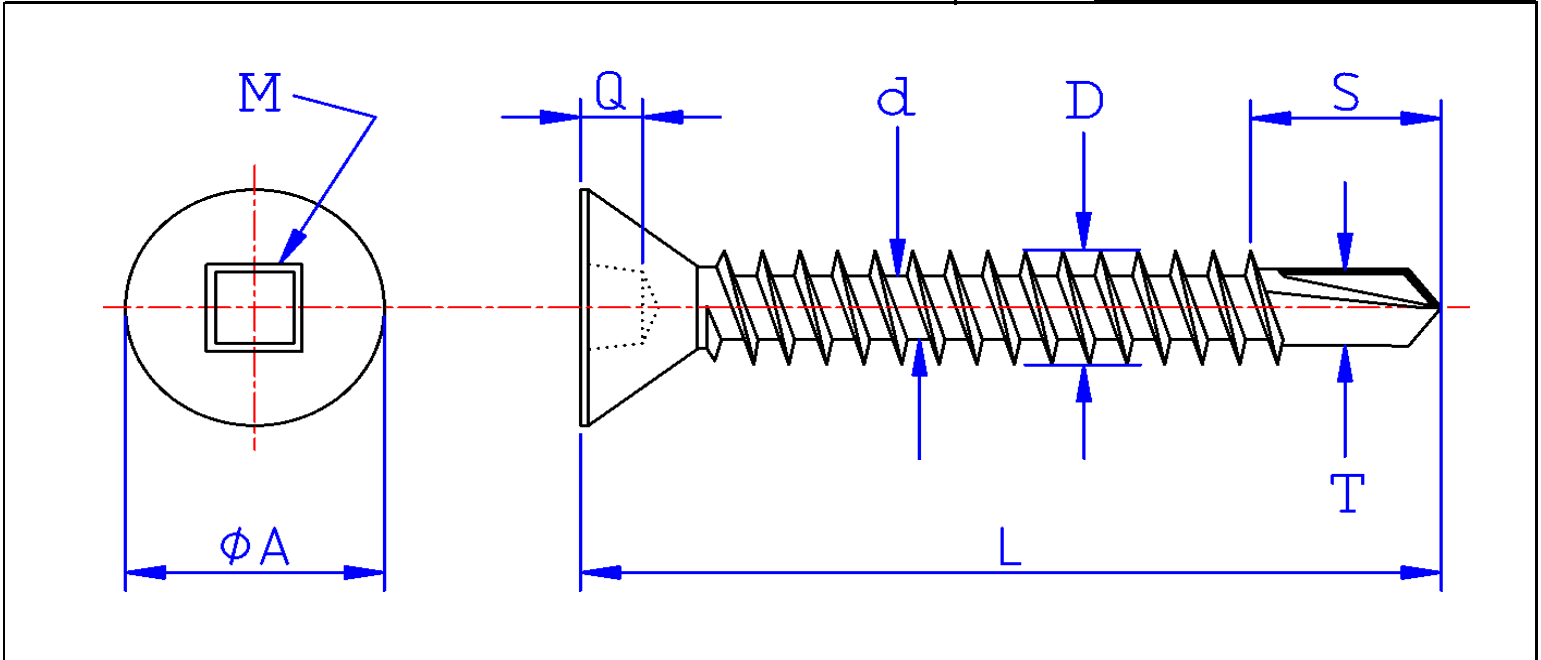


Brand	Root
	FKTS...



unit: INCH

L LENGTH TOLERANCE	$\leq 3/4$	+ 0	- 0.03
	$> 3/4$ " to $\leq 1-1/2$ "	+ 0	- 0.05
	$> 1-1/2$ "	+ 0	- 0.06

FULL THREAD

SCREW SIZE	M PUNCH		Q DRIVE DEPTH	A HEAD DIAM.	d MINOR DIAM.	D MAJOR DIAM.	TEK SIZE	T POINT DIAM.	S POINT LENGTH	THREAD PER INCH	TORK INCH/POUND
# 8	# 2	Min	0.060	0.285	0.116	0.161	#2	0.131	0.188	18	42
		Max	0.075	0.312	0.122	0.166		0.136	0.211		

Flat Countersunk Head, Square recess, Self Drilling Screw Type "TEK", Stainless Steel 410

Root = Flat socKet Tek Stainless

Bulk Label Description:

- English: FLAT HEAD, SQUARE, SELF DRILLING (TEK) SCREW, STAINLESS STEEL
- French: VIS AUTO-PERCEUSE (TEK), TÊTE PLATE, CARRÉ, ACIER INOXYDABLE
- Spanish: TORNILLO AUTOPERFORANTE (TEK), CABEZA PLANA, CUADRADO, ACERO INOXIDABLE

Date: 7 février 2019

Done by: P.B.