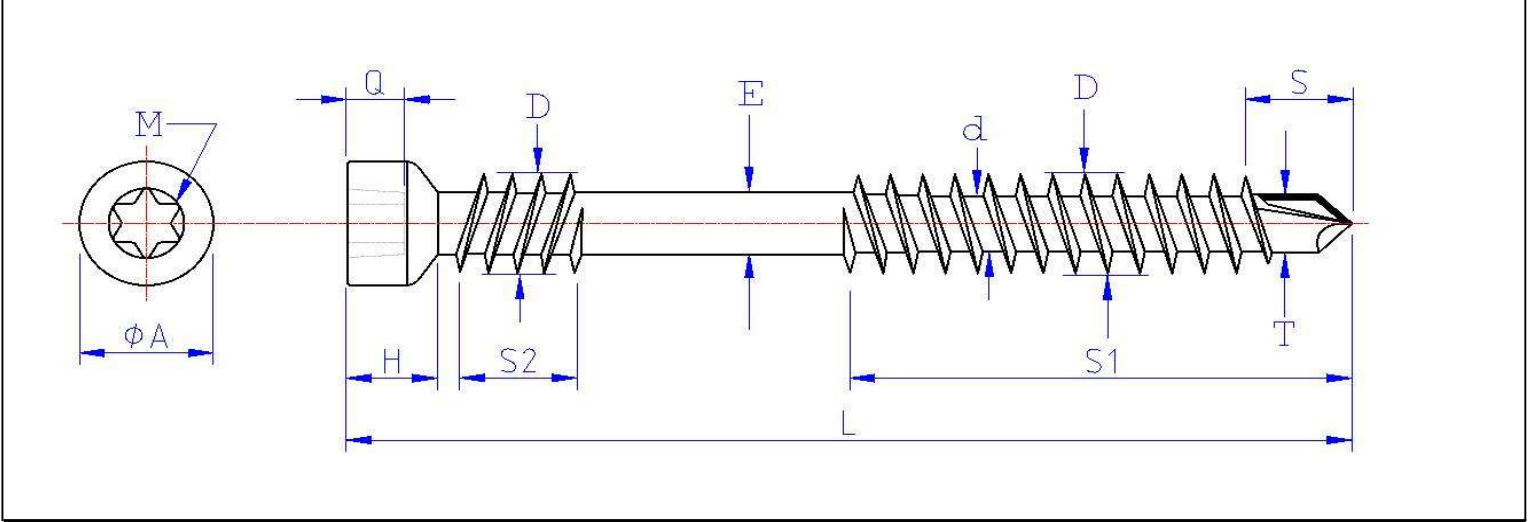




Brand	Root
PWR PVH	THTDRTBR...



unit: INCH

L LENGTH TOLERANCE	> 1-1/2" to ≤ 2-3/4"	+ 0	- 0.06

THREAD LENGTH	S1	S2
	Half Thread	0.35

SCREW SIZE		L OVERALL LENGTH	M PUNCH	Q DRIVE DEPTH	A HEAD DIAM.	D THREAD DIAM.	d MINOR DIAM.	E BODY DIAM.	H HEAD HEIGHT	S POINT LENGTH	T POINT DIAM.	S1 THREAD PER INCH	S2 THREAD PER INCH	Min. Torsional Strength Lb/Inch.
# 7 x 1-7/8"	Min	2"	T-15	0.110	Ref. 0.200	0.157	Ref. 0.106	Ref. 0.120	Ref. 0.170	Ref. 0.165	0.105	9	9	39
	Max			0.125		0.163					0.110			
# 7 x 2-3/8"	Min	2.5"	T-15	0.110	Ref. 0.200	0.157	Ref. 0.106	Ref. 0.120	Ref. 0.170	Ref. 0.165	0.105	9	9	39
	Max			0.125		0.163					0.110			

Trim Head, Torx, Wood Screw Dual Coarse Thread (one Reversed) with point type-TEK
 ==> **Brown Ruspert** (Pantone 469 C metallic) 1000 hres (SST) + WAX

Root= Trim Head Torx Dual Reverse thread Tek Brown Ruspert

Bulk Label Description:

English: TRIM HEAD WOOD SCREW, TORX, DUAL THREAD, TYPE -TEK, BROWN RUSPERT
French: VIS À BOIS TÊTE DE FINITION, TORX, DOUBLE FILET , TYPE TEK, 'RUSPERT' BRUN
Spanish:



Date : 10 juillet 2024

Done by : P.B.