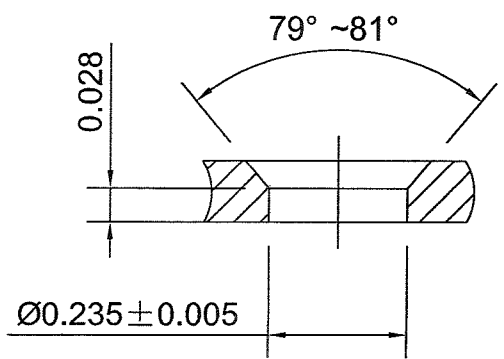


A-A



Onward Item#:95X40-B
95X40-BC

Tolerance
All Tolerance unless
otherwise noted : ±0.015"

						Mending Plate 4x7/8"				
MARKER	COUNT	AREA	REVISION	APPROVE	DATE	REVISION	WEIGHT	SCALE	DRAWING NO.	PROJECTION
DRAWING			STANDARDIZATION							
DESIGNING									MATERIAL	UNITS
CHECK										
TECHNICS			APPROVE			TOTAL : PAGE	NO. : PAGE		FINISH	TOLERANCE