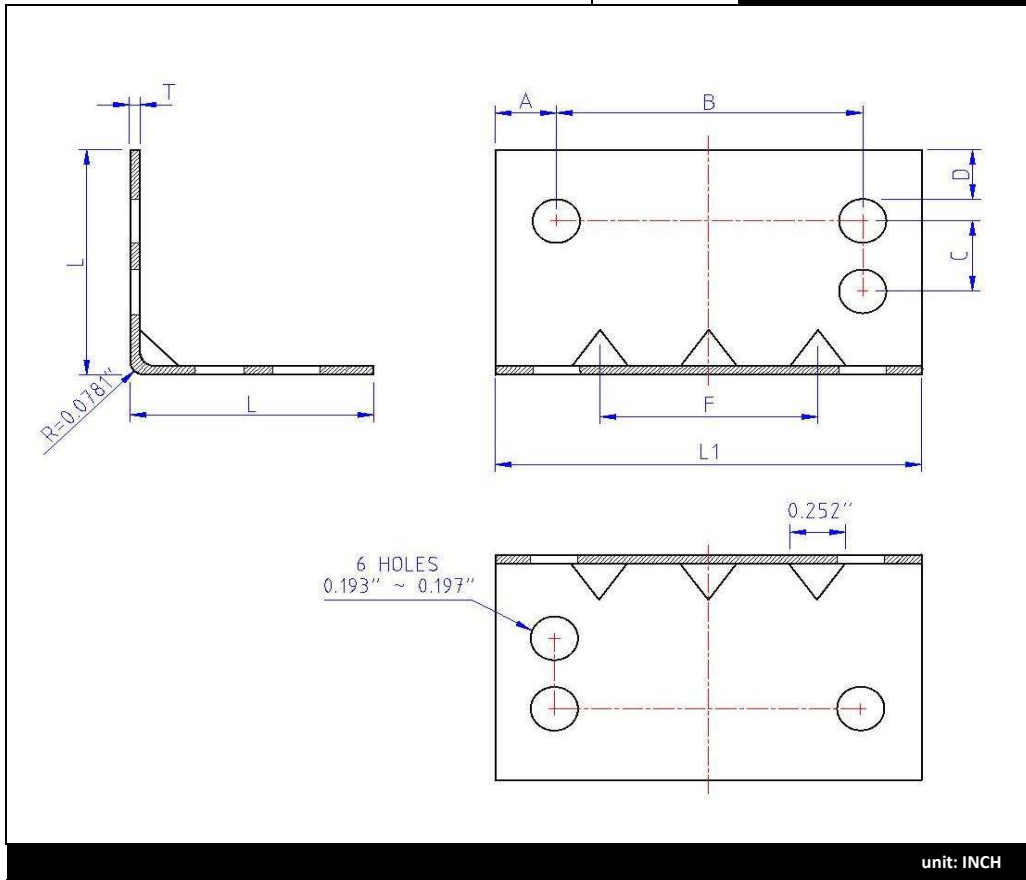




Brand	Root
N/A	CSR1134



	min.	max.
L	0.980	0.990
L1	1.762	1.782

	A	B	C	D	F	T Material Thickness
Min.	0.248	1.264	0.300	0.216	0.917	20 GA
Max.	0.256	1.272	0.320	0.224	0.925	0.0359

Steel Corner Brace 90°, Zinc Plated

Root =

Bulk Label Description:

- English: STEEL CORNER BRACE, ZINC
- French: ÉQUERRE EN ACIER, ZINC
- Spanish: SOPORTE MÉTALICO DE ESQUINA, ZINC

Date : 21 janvier 2019

Done by : P.B.