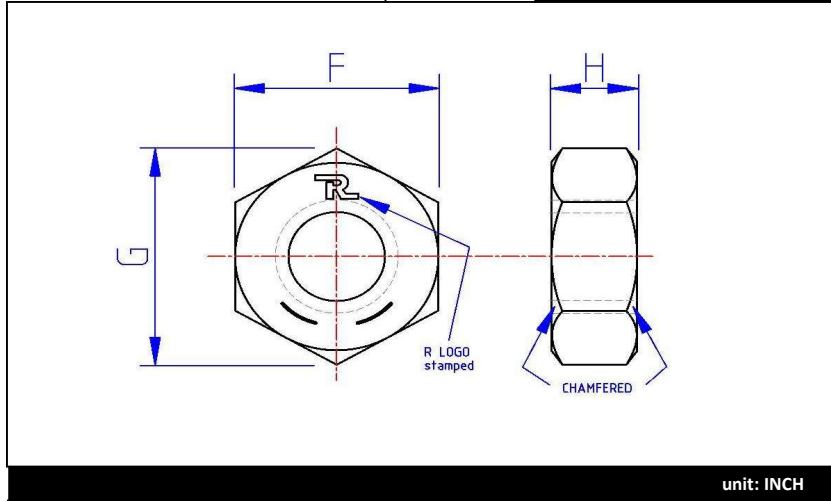




Brand	Root
	FHNC8P...



THREAD SIZE Class 2B		F ACROSS FLAT	G ACROSS CORNERS	H THICKNESS	THREAD PER INCH
1/4	Min	0.428	0.488	0.212	20
	Max	0.438	0.505	0.226	
5/16	Min	0.489	0.557	0.258	18
	Max	0.500	0.577	0.273	
3/8	Min	0.551	0.628	0.320	16
	Max	0.563	0.650	0.337	
1/2	Min	0.736	0.840	0.427	13
	Max	0.750	0.866	0.448	
5/8	Min	0.922	1.051	0.535	11
	Max	0.938	1.083	0.559	
3/4	Min	1.088	1.240	0.617	10
	Max	1.125	1.299	0.665	
7/8	Min	1.269	1.447	0.724	9
	Max	1.312	1.516	0.776	
1	Min	1.450	1.653	0.831	8
	Max	1.500	1.732	0.887	
1-1/8	Min	1.631	1.859	0.939	7
	Max	1.688	1.949	0.999	
1-1/4	Min	1.812	2.066	1.030	7
	Max	1.875	2.165	1.094	
1-1/2	Min	2.175	2.480	1.245	6
	Max	2.250	2.598	1.317	

Hex Nut, Coarse Thread, GRADE '8', Plain

Root= Finished Hex Nut, Coarse, gr-8, PLAIN

Bulk Label Description:

- English: FINISHED HEX NUT, GR-8, PLAIN
- French: ÉCROU HEXAGONAL, GR-8, NON PLAQUÉ
- Spanish: TUERCA HEXAGONAL, GRADO 8, SIN REVESTIMIENTO

Date : 5 juin 2019

Done by : P.B.