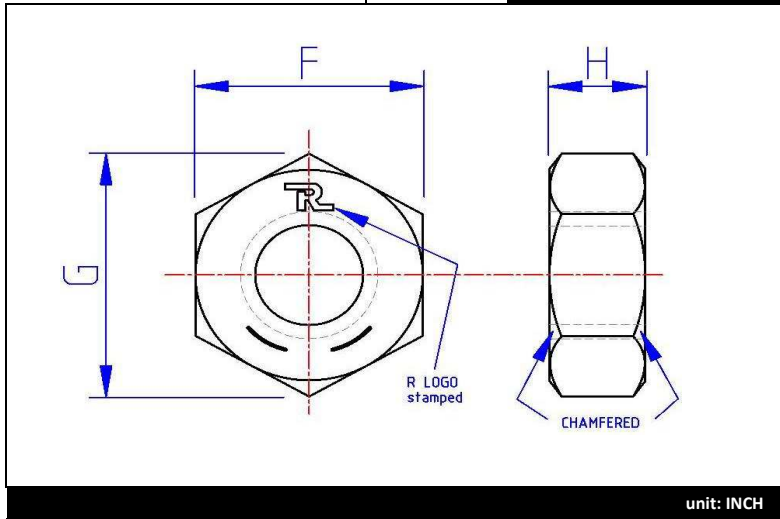




Brand	Root
	<b>FHNF8YZ...</b>



THREAD SIZE Class 2B		F ACROSS FLAT	G ACROSS CORNERS	H THICKNESS	THREAD PER INCH
1/4	Min	0.428	0.488	0.212	28
	Max	0.438	0.505	0.226	
5/16	Min	0.489	0.557	0.258	24
	Max	0.500	0.577	0.273	
3/8	Min	0.551	0.628	0.320	24
	Max	0.563	0.650	0.337	
7/16	Min	0.675	0.768	0.365	20
	Max	0.688	0.794	0.385	
1/2	Min	0.736	0.840	0.427	20
	Max	0.750	0.866	0.448	
9/16	Min	0.861	0.982	0.473	18
	Max	0.875	1.010	0.496	
5/8	Min	0.922	1.051	0.535	18
	Max	0.938	1.083	0.559	
3/4	Min	1.088	1.240	0.617	16
	Max	1.125	1.299	0.665	
7/8	Min	1.269	1.447	0.724	14
	Max	1.312	1.516	0.776	
1	Min	1.450	1.653	0.831	14 *
	Max	1.500	1.732	0.887	
1-1/4	Min	1.812	2.066	1.030	12
	Max	1.875	2.165	1.094	
1-1/2	Min	2.175	2.480	1.245	12
	Max	2.250	2.598	1.317	

\* IFI Std = 12

**Hex Nut, Fine Thread, GRADE '8', Yellow Zinc**

Root= Finished Hex Nut Fine gr-8 Yellow Zinc

**Bulk Label Description:**

English: FINISHED HEX NUT, FINE THREAD, GR-8, YELLOW ZINC  
 French: ÉCROU HEXAGONAL, FILET FIN, GR-8, ZINC JAUNE  
 Spanish: TUERCA HEXAGONAL, ROSCA FINA, GRADO 8, ZINCADO AMARILLO

Date : 21 janvier 2019

Done by : P.B.