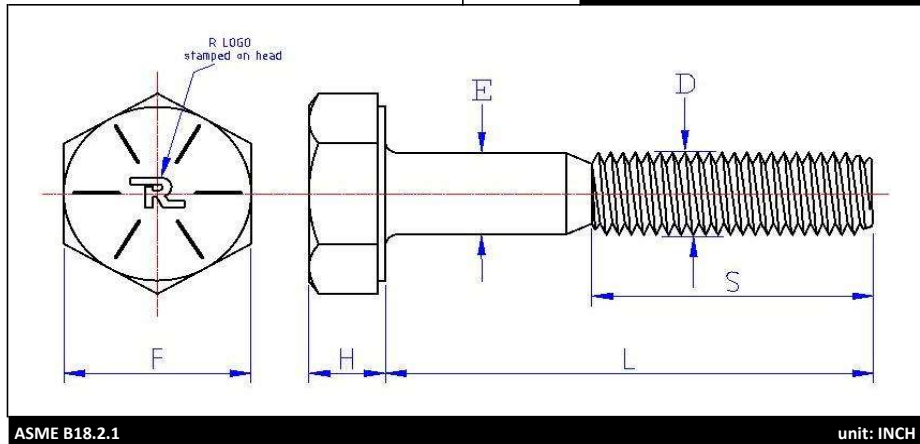




| | |
|-------|-----------------|
| Brand | Root |
| | HC8FP... |



| L LENGTH TOLERANCE | Diam. | 1/4 to 3/8 | 7/16 to 1/2 | 9/16 to 3/4 | 7/8 and 1 | 1-1/8 to 1-1/2 |
|--------------------------|-------|--------------|--------------|--------------|--------------|----------------|
| | ≤ 1" | | + 0 / - 0.03 | + 0 / - 0.03 | + 0 / - 0.03 | - |
| > 1" to ≤ 2-1/2" | | + 0 / - 0.04 | + 0 / - 0.06 | + 0 / - 0.08 | + 0 / - 0.10 | + 0 / - 0.12 |
| > 2-1/2" to ≤ 4" | | + 0 / - 0.06 | + 0 / - 0.08 | + 0 / - 0.10 | + 0 / - 0.14 | + 0 / - 0.16 |
| > 4" to ≤ 6" | | + 0 / - 0.10 | + 0 / - 0.10 | + 0 / - 0.10 | + 0 / - 0.16 | + 0 / - 0.18 |
| > 6" | | + 0 / - 0.18 | + 0 / - 0.18 | + 0 / - 0.18 | + 0 / - 0.20 | + 0 / - 0.22 |

| S THREAD LENGTH | | |
|-----------------------|--|------------------|
| ≤ 6" | | 2 x Diam + 0.25" |
| > 6" | | 2 x Diam + 0.5" |

| Bolt Size Class 2A | | F ACROSS FLAT | H HEAD HEIGHT | E BODY DIAM. | D THREAD DIAM. | THREAD PER INCH |
|-----------------------|-----|------------------|------------------|-----------------|-------------------|--------------------|
| 1/4 | Min | 0.428 | 0.150 | 0.245 | 0.242 | 28 |
| | Max | 0.438 | 0.163 | 0.250 | 0.249 | |
| 5/16 | Min | 0.489 | 0.195 | 0.306 | 0.304 | 24 |
| | Max | 0.500 | 0.211 | 0.312 | 0.311 | |
| 3/8 | Min | 0.551 | 0.226 | 0.369 | 0.367 | 24 |
| | Max | 0.562 | 0.243 | 0.375 | 0.374 | |
| 1/2 | Min | 0.736 | 0.302 | 0.493 | 0.491 | 20 |
| | Max | 0.750 | 0.323 | 0.500 | 0.499 | |
| 5/8 | Min | 0.922 | 0.378 | 0.617 | 0.615 | 18 |
| | Max | 0.938 | 0.403 | 0.625 | 0.624 | |
| 3/4 | Min | 1.100 | 0.455 | 0.741 | 0.739 | 16 |
| | Max | 1.125 | 0.483 | 0.750 | 0.748 | |
| 7/8 | Min | 1.285 | 0.531 | 0.866 | 0.863 | 14 |
| | Max | 1.312 | 0.563 | 0.875 | 0.873 | |
| 1 | Min | 1.469 | 0.591 | 0.990 | 0.988 | 14 * |
| | Max | 1.500 | 0.627 | 1.000 | 0.998 | |
| 1-1/4 | Min | 1.812 | 0.749 | 1.239 | 1.237 | 12 |
| | Max | 1.875 | 0.813 | 1.250 | 1.248 | |
| 1-1/2 | Min | 2.175 | 0.902 | 1.488 | 1.487 | 12 |
| | Max | 2.250 | 0.974 | 1.500 | 1.498 | |

* IFI Std = 12

Hex. Head Cap screw, Fine Thread, SAE J429 Grade 8, Plain

Root= Hex Cap grade-8 Fine Plain

Bulk Label Description:

English: HEX BOLT, GR-8, FINE THREAD, PLAIN

French: BOULON TÊTE HEX, GR-8, FILET FIN, NON PLAQUÉ

Spanish: PERNO DE CABEZA HEXAGONAL, GRADO 8, ROSCA FINA, SIN REVESTIMIENTO

Date: 17 septembre 2019

Done by: P.B.