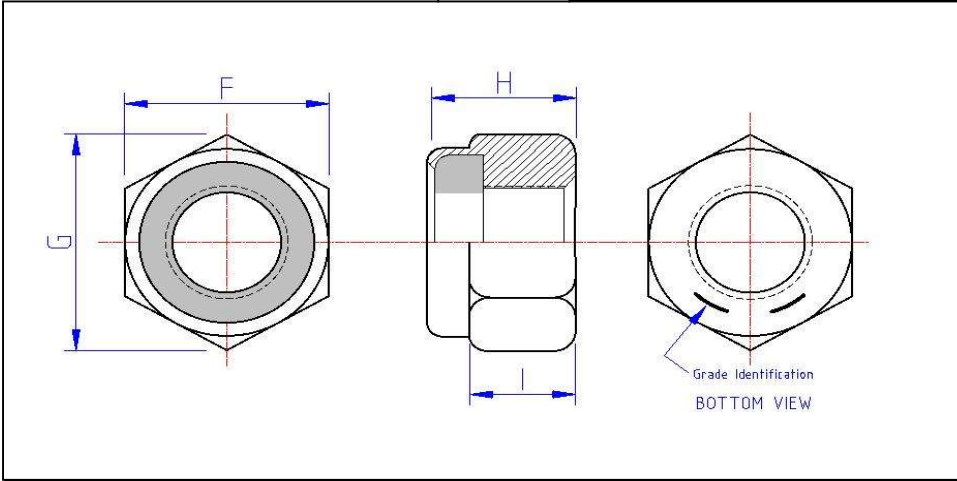




Brand	Root
	HNLNF8P...



unit: INCH

THREAD SIZE UNF Class 2B		F		G	H	I	THREAD PER INCH
		Basic	Across Flat	Width across Corner	HEIGHT	Wrenching Height	
1/4	Min	7/16	0.430	0.488	0.298	Ref. min 0.225	28
	Max		0.439				
5/16	Min	1/2	0.489	0.557	0.329	Ref. min 0.250	24
	Max		0.502				
3/8	Min	9/16	0.551	0.628	0.438	Ref. min 0.335	24
	Max		0.564				
7/16	Min	5/8	0.616	0.698	0.438	Ref. min 0.324	20
	Max		0.627				
1/2	Min	3/4	0.736	0.840	0.579	Ref. min 0.464	20
	Max		0.752				
9/16	Min	7/8	0.861	0.982	0.626	Ref. min 0.469	18
	Max		0.877				
5/8	Min	15/16	0.922	1.051	0.735	Ref. min 0.593	18
	Max		0.940				
3/4	Min	1-1/16	1.052	1.191	0.860	Ref. min 0.742	16
	Max		1.064				
7/8	Min	1-1/4	1.239	1.403	0.969	Ref. min 0.790	14
	Max		1.252				
1	Min	1-7/16	1.427	1.619	1.016	Ref. min 0.825	14 *
	Max		1.440				
1-1/4	Min	1-13/16	1.801	2.046	1.360	Ref. min 1.125	12
	Max		1.815				
1-1/2	Min	2-3/16	2.159	2.473	1.578	Ref. min 1.313	12
	Max		2.197				

* IFI Std = 12

Hexagon Lock Nut with Nylon Insert, Grade '8', PLAIN

Root= Hex Nylon Lock Nut Fine grade-8 Plain

Bulk Label Description:

English: HEX. NYLON INSERT, LOCK NUT, FINE THREAD, GR-8, PLAIN

French: ÉCROU DE BLOCAGE HEX. AVEC INSERTION DE NYLON, FILET FIN, GR-8, NON PLAQUÉ

Spanish: TUERCA HEXAGONAL DE SEGURIDAD, ROSCA FINA, GRADO 8, SIN REVESTIMIENTO

Date : 5 juin 2019

Done by : P.B.