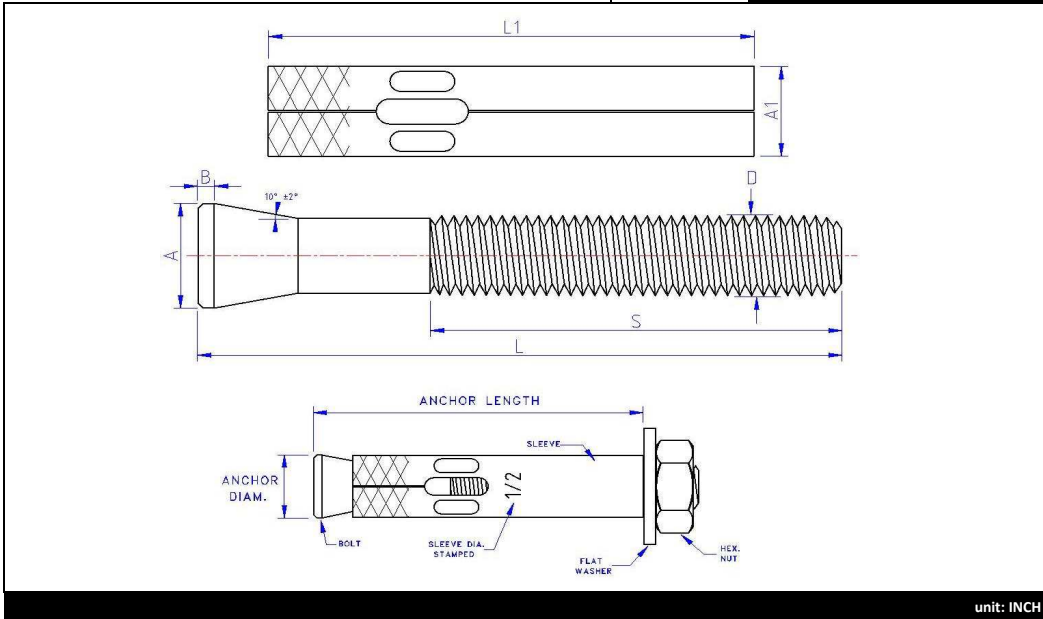




Brand	Root
	<b>SAS...</b>



unit: INCH

ANCHOR SIZE		A BOLT DIAM.	B END LENGTH	D THREAD UNC Class 2A	L STUD LENGTH	S MIN. THREAD LENGTH
5/16 x 1-1/2	Min.	0.305	Ref.	1/4-20	Ref.	0.75
	Max.	0.315	0.090		1.812	
5/16 x 2-1/2	Min.	0.305	Ref.	5/16-18	Ref.	1.25
	Max.	0.315	0.090		2.812	
3/8 x 1-7/8	Min.	0.362	Ref.	3/8-16	Ref.	1
	Max.	0.378	0.095		2.25	
3/8 x 3	Min.	0.362	Ref.	1/2-13	Ref.	1.5
	Max.	0.378	0.095		3.375	
3/8 x 4	Min.	0.362	Ref.	1/2-13	Ref.	2
	Max.	0.378	0.095		4.375	
1/2 x 2-1/4	Min.	0.488	Ref.	1/2-13	Ref.	1.25
	Max.	0.504	0.100		2.687	
1/2 x 3	Min.	0.488	Ref.	1/2-13	Ref.	1.5
	Max.	0.504	0.100		3.437	
1/2 x 4	Min.	0.488	Ref.	1/2-13	Ref.	2
	Max.	0.504	0.100		4.437	
1/2 x 6	Min.	0.488	Ref.	1/2-13	Ref.	3
	Max.	0.504	0.100		6.437	
5/8 x 2-1/4	Min.	0.614	Ref.	1/2-13	Ref.	1
	Max.	0.630	0.130		2.75	
5/8 x 4-1/4	Min.	0.614	Ref.	1/2-13	Ref.	2
	Max.	0.630	0.130		4.75	
5/8 x 6	Min.	0.614	Ref.	1/2-13	Ref.	3
	Max.	0.630	0.130		6.5	

SLEEVE	A1 SLEEVE DIAM.	L1 SLEEVE LENGTH
	0.312	Ref.
		1.25
	0.375	Ref.
		2.25
	0.375	Ref.
		1.625
	0.375	Ref.
		2.75
	0.500	Ref.
		3.75
	0.500	Ref.
		1.875
	0.500	Ref.
		2.625
	0.500	Ref.
		3.625
	0.500	Ref.
		5.625
	0.625	Ref.
		1.875
	0.625	Ref.
		3.875
	0.625	Ref.
		5.625

**Sleeve Anchor, Stainless Steel 18-8**  
Assembled with one **USS Flat Washer** and one **Hex Nut**

Root = Sleeve Anchor Stainless

**Bulk Label Description:**

English: SLEEVE ANCHOR, STAINLESS STEEL  
French: ANCRE À DOUILLE, ACIER INOXYDABLE  
Spanish: ANCLAJE DE EXPANSIÓN, ACERO INOXIDABLE

Date : 17 janvier 2019

Done by : **P.B.**