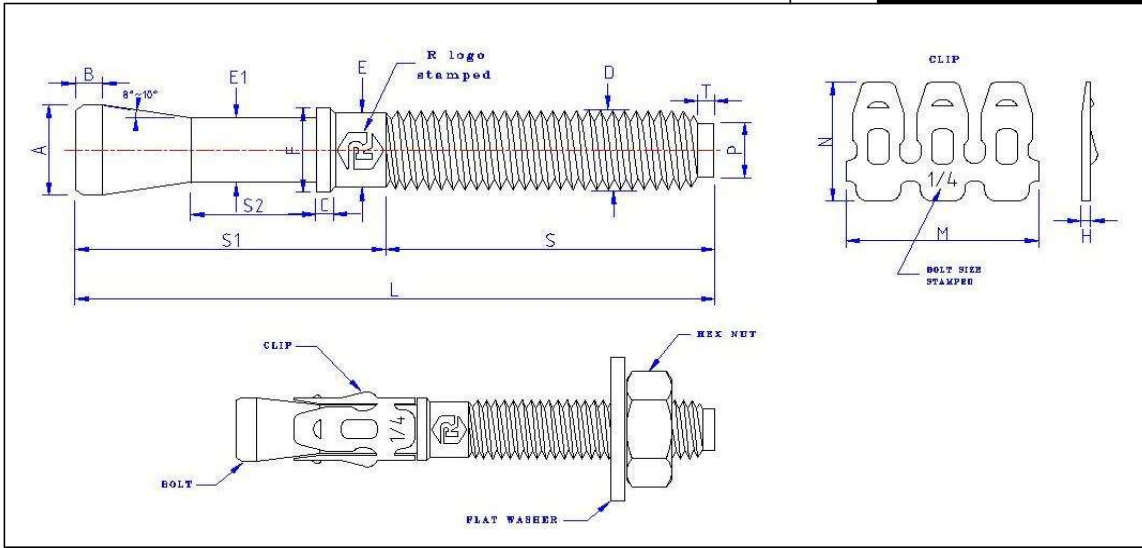




Brand	Root
	WAHDG...



unit: INCH

L LENGTH TOLERANCE	± 0.06
---------------------------------	---------------

Bolt Size	S Max. Thread Length	S1 Min.
1/4	L (Anchor Length) - S1	1.25
3/8	L (Anchor Length) - S1	1.75
1/2	L (Anchor Length) - S1	2.00
5/8	L (Anchor Length) - S1	2.50
3/4	L (Anchor Length) - S1	2.75

CLIP		H THICKNESS	M WIDTH	N HEIGHT
1/4	Min.	0.024	Ref.	0.480
	Max.	0.039	0.638	0.520
3/8	Min.	0.039	Ref.	0.661
	Max.	0.055	1.004	0.701
1/2	Min.	0.039	Ref.	0.807
	Max.	0.055	1.417	0.846
5/8	Min.	0.051	Ref.	0.866
	Max.	0.067	1.752	0.906
3/4	Min.	0.063	Ref.	1.094
	Max.	0.079	2.157	1.134

BOLT SIZE UNC Class 2A		A DIAM.	B LENGTH	C COLLAR HEIGHT	D THREAD DIAM.	E SHANK DIAM.	E1 BODY DIAM.	F COLLAR DIAM.	P POINT DIAM.	S2 SHANK LENGTH	T POINT LENGTH	Minimum Embedment
1/4-20	Min.	0.240	Ref.	Ref.	0.241	Ref.	0.173	0.224	0.169	0.433	Ref.	1-1/8"
	Max.	0.256	0.079	0.079	0.249	0.215	0.189	0.248	0.189	0.472	0.079	
3/8-16	Min.	0.362	Ref.	Ref.	0.364	Ref.	0.268	0.358	0.268	0.650	Ref.	1-5/8"
	Max.	0.378	0.138	0.118	0.374	0.330	0.283	0.374	0.287	0.689	0.138	
1/2-13	Min.	0.488	Ref.	Ref.	0.488	Ref.	0.386	0.480	0.350	0.728	Ref.	2-1/4"
	Max.	0.504	0.157	0.118	0.499	0.445	0.402	0.496	0.370	0.768	0.138	
5/8-11	Min.	0.614	Ref.	Ref.	0.611	Ref.	0.496	0.606	0.480	0.866	Ref.	2-3/4"
	Max.	0.630	0.217	0.157	0.623	0.560	0.512	0.630	0.504	0.906	0.157	
3/4-10	Min.	0.740	Ref.	Ref.	0.735	Ref.	0.591	0.725	0.583	1.004	Ref.	3-5/16"
	Max.	0.756	0.236	0.079	0.748	0.675	0.606	0.745	0.602	1.043	0.157	

Wedge Anchor, Hot-Dip Galvanized
Assembled with one SAE Washer and one Hex Nut

Root = Wedge Anchor Hot-Dip Galvanized

Bulk Label Description:

English: WEDGE ANCHOR, HOT-DIP GALVANIZED

French: CALE D'ANCRAGE, GALVANISÉ À CHAUD

Spanish: ANCLAJE DE CUÑA, GALVANIZADO EN CALIENTE

SPECIFICATIONS / SPÉCIFICATIONS / ESPECIFICACIONES					
SIZE / DIMENSION / TAMAÑO				BREAK POINT / POINT DE RUPTURE / RUPTURAS DE PESO	
DIAM. DIAM.	DRAW SIZE MÉCHE TALADRO	MINIMUM EMBEDMENT ENFOCAMIENTO MINIMAL EMPOTRAMIENTO MÍNIMA	INSTALLATION TORQUE (ft / lb) TORQUE D'INSTALLATION (pa / lb) INSTALACIÓN DEL PAR (pd / lb)	TENSILE (6000 PSI)* FORCE DE TRACCIÓN* FUERZA DE TRACCIÓN*	SHEAR (6000 PSI)* POINT DE CISELLEMENT* CORTE PUNTO*
1/4"	1/4"	1-1/8"	10	2700 lbs (1224 kg)	2600 lbs (1170 kg)
3/8"	3/8"	1-5/8"	30	4390 lbs (1991 kg)	4320 lbs (1959 kg)
1/2"	1/2"	2-1/4"	60	6110 lbs (2771 kg)	7560 lbs (3429 kg)
5/8"	5/8"	2-3/4"	70	7320 lbs (3320 kg)	11900 lbs (5397 kg)
3/4"	3/4"	3-15/16"	120	10184 lbs (4640 kg)	17523 lbs (7948 kg)

*As a safety factor, industry standards recommend using 25% of the ultimate load. (Break point)
*Par mesure de sécurité, les normes de l'industrie recommandent de n'utiliser que 25% de la charge maximale. (Point de rupture)

Date : 1 octobre 2018

Done by : P.B.