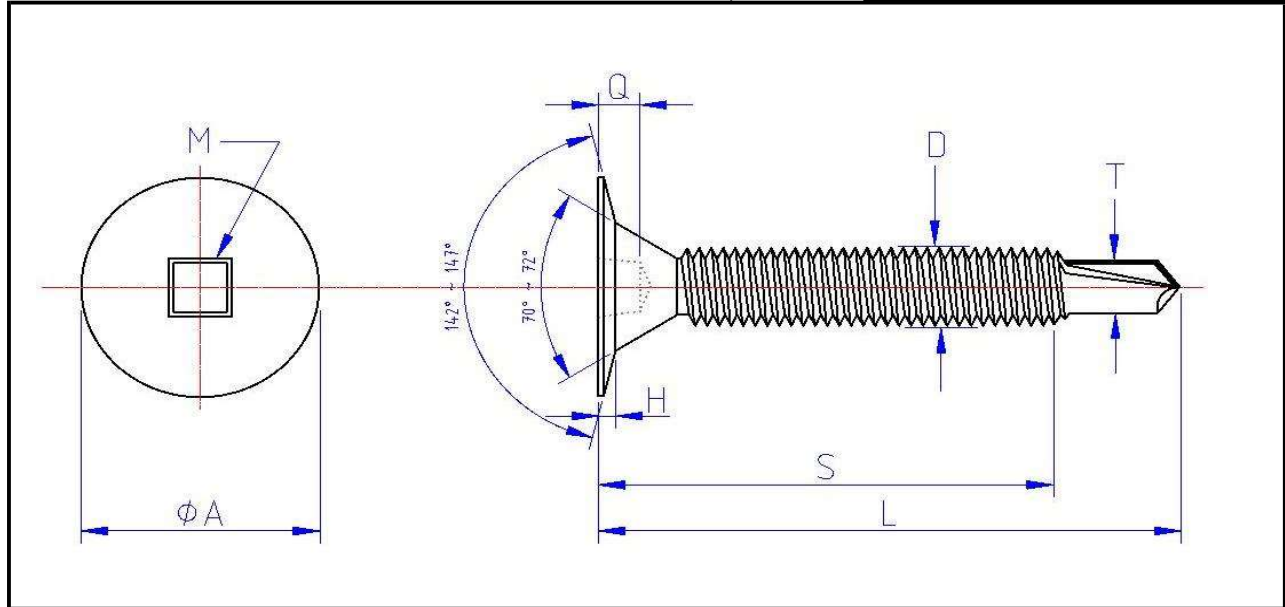




Brand	Root
	WKTZ...



unit: INCH

L LENGTH TOLERANCE	≤ 3/4"	+ 0	- 0.03
	> 3/4" to ≤ 1-1/2"	+ 0	- 0.05
	> 1-1/2"	+ 0	- 0.06

S THREAD LENGTH (Tolerance)			
When "L" is	"S" Should be	When "L" is	"S" Should be
3/4"	1/2" (± 0.02)	2"	1-1/2" (± 0.02)
1"	11-16" (± 0.02)	2-1/2"	2" (± 0.02)
1-1/4"	3/4" (± 0.02)	3"	2-1/2" (± 0.02)
1-7/16"	1-1/16" (± 0.02)	4"	3-1/2" (± 0.02)

SCREW SIZE	M PUNCH		Q DRIVE DEPTH	A HEAD DIAM.	H TOP THICKNESS	D THREAD DIAM.	T POINT DIAM.	THREAD PER INCH	Min. Torsional Strength Lb/Inch
#10	# 2	Min	0.060	0.461	0.039	0.183	0.161	24	65
		Max	0.075	0.476	0.050	0.190	0.168		
#12	# 3	Min	0.080	0.527	0.048	0.209	0.191	24	100
		Max	0.095	0.560	0.060	0.216	0.197		

Wafer Head, Square socket, Self-Drilling "TEK" Screw Point #3, Zinc Plated
For #11 screws see drawing 'WKTZ_11'

Root= Wafer sockKet Tek Zinc

Bulk Label Description:

- English: WAFER HEAD, SQUARE, SELF DRILLING (TEK) SCREW, ZINC
- French: VIS AUTO-PERCEUSE (TEK), TÊTE WAFER, CARRÉ, ZINC
- Spanish: TORNILLO AUTOPERFORANTE (TEK), CABEZA WAFER, CUADRADO, ZINC

Date : 4 octobre 2021

Done by : P.B.