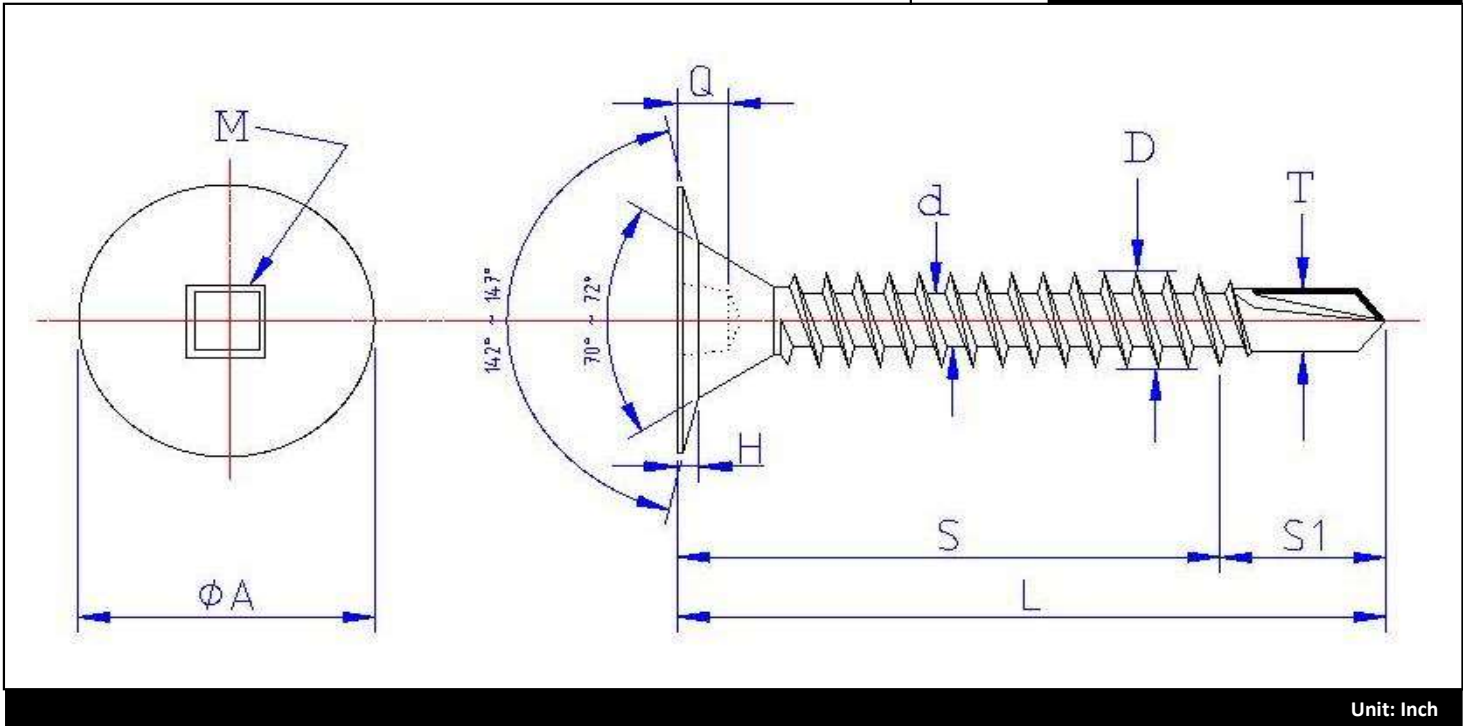


Brand	Root
	WKTZ11...



Unit: Inch

L LENGTH TOLERANCE	> 3/4" to ≤ 1-1/2"	+ 0	- 0.05
---------------------------------	--------------------	-----	--------

	S LENGTH	S1 LENGTH
When "L" is	"S" Should be	"S1" REF.
13/16"	1/2"	0.300
1-1/4"	3/4"	0.500

SCREW SIZE	M PUNCH		Q DRIVE DEPTH	A HEAD DIAM.	H HEAD THICKNESS	d MINOR DIAM.	D THREAD DIAM.	T POINT DIAM.	THREAD PER INCH	Min. Torsional Strength Lb/Inch
#11	# 2	Min	0.060	0.466	0.039	0.146	0.196	0.166	16	65
		Max	0.075	0.480	0.050	0.152	0.202	0.171		

Wafer Head, Square socket, Self-Drilling "TEK" Screw Point #3, Zinc Plated
For screw #10 and #12 see drawing 'WKTZ_10~12'

Root = Wafer sockKet Tek Zinc

Bulk Label Description:

- English: WAFER HEAD, SQUARE, SELF DRILLING (TEK) SCREW, ZINC
- French: VIS AUTO-PERCEUSE (TEK), TÊTE WAFER, CARRÉ, ZINC
- Spanish: TORNILLO AUTOPERFORANTE (TEK), CABEZA WAFER, CUADRADO, ZINC

Date : 5 mai 2021

Done by : P.B